



III International Scientific Conference “**Sustainable and efficient use of energy, water and natural resources – SEWAN-2021**”

ГАЛАХИМ



# ADAPTIVE SWITCHING SYSTEM OF SOLAR POWER STATION

***Authors:*** Aleksey Divnenko, Sergey Golobokov, Ageev Vadim, Tatyana Brostilova., Andrey Alexandrin.

***Contact details:*** [divaldiv@yandex.ru](mailto:divaldiv@yandex.ru)

***Scientific adviser:*** Sergey Golobokov.

***Affiliations:*** Penza State University

# Operating principle

The idea is to move away from the classic PWM-controlled power inverter, which uses a pulse transformer or high-speed switches.

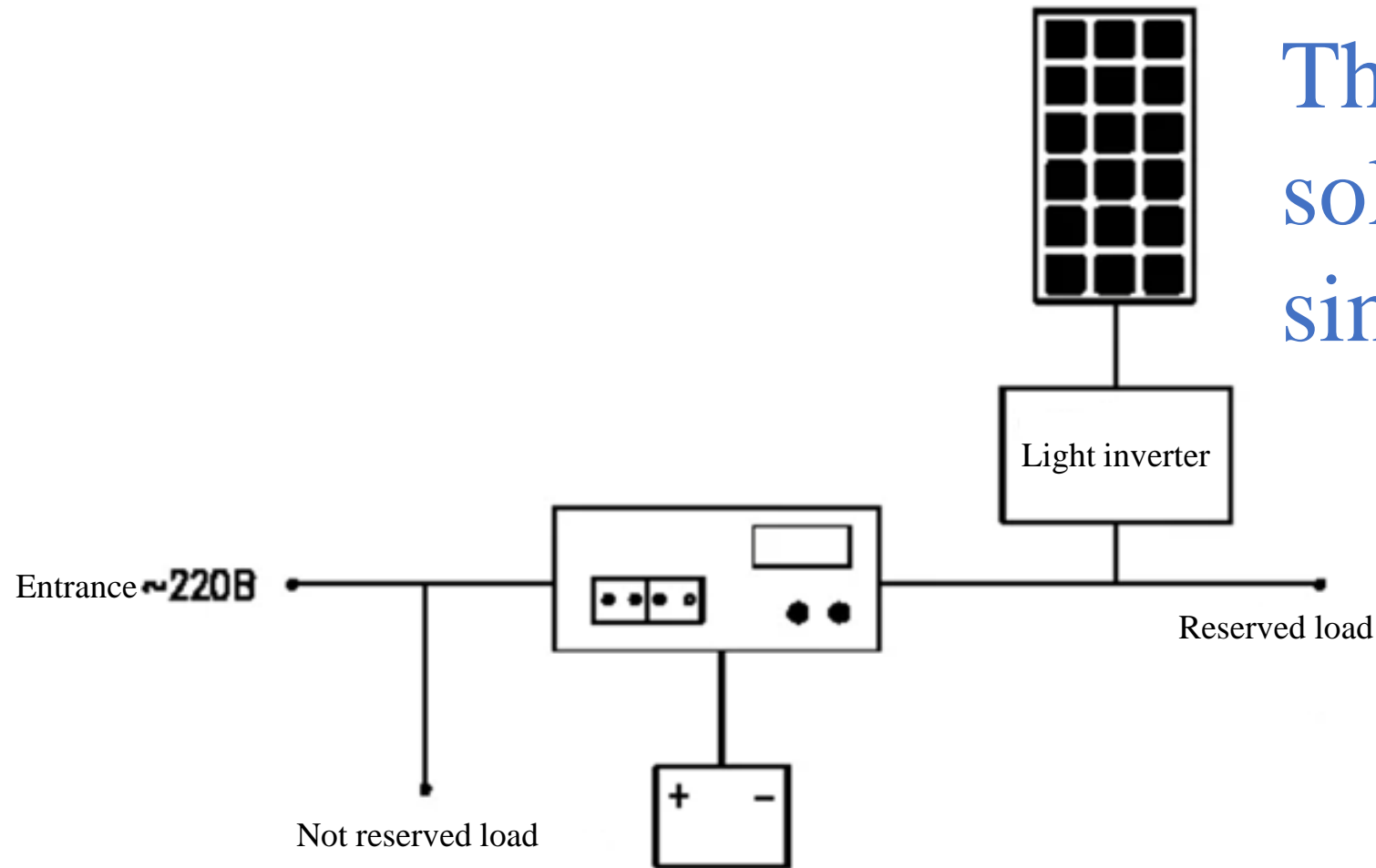
By connecting the solar panels in the chain, you can get several buses of constant voltage.

An increase in current is obtained by turning on several solar panel circuits in parallel.

Using a lot of keys with low current and low cost and speed will be economically justified

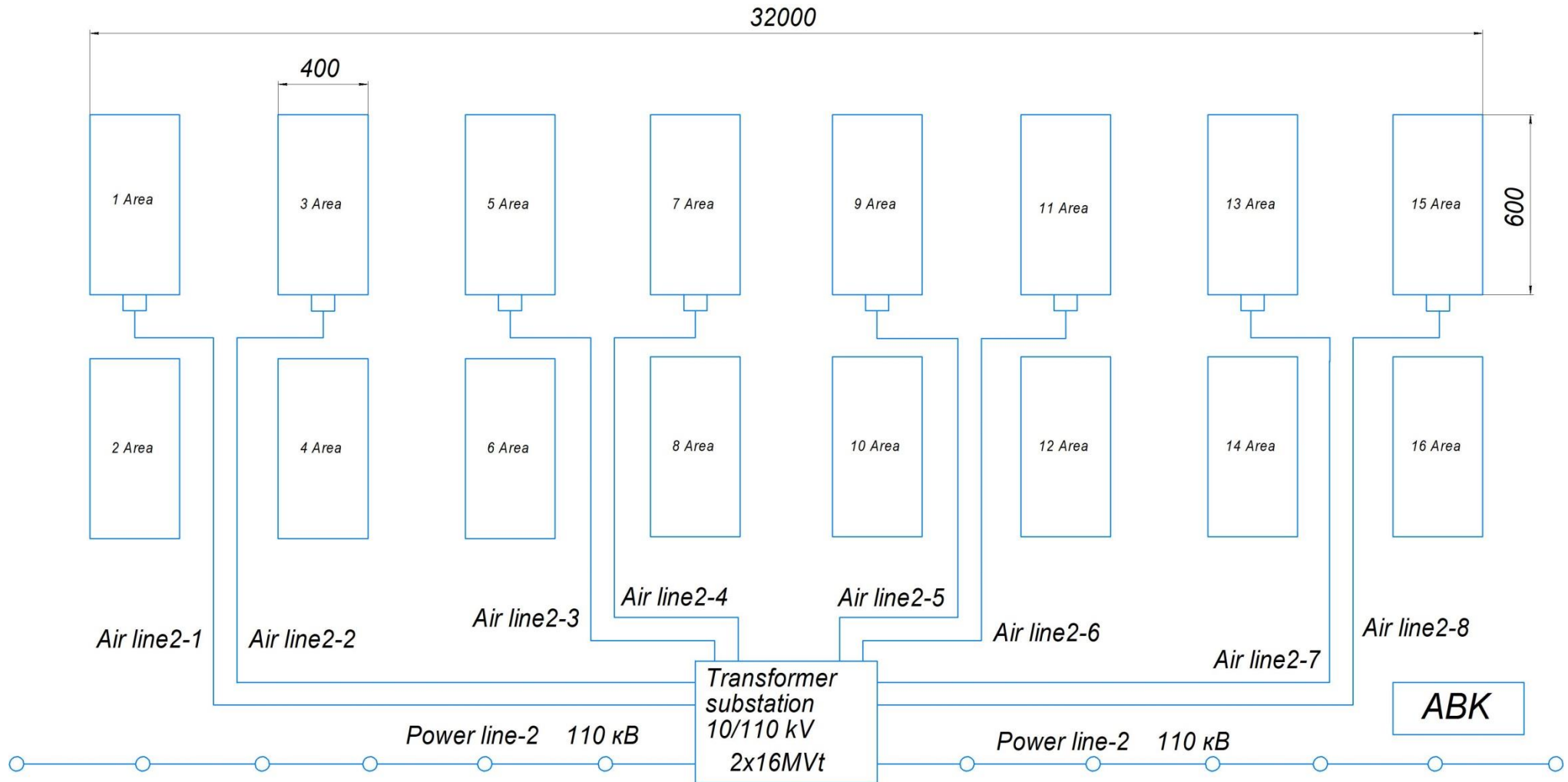
АДАПТИВНАЯ СИСТЕМА КОММУТАЦИИ ПАНЕЛЕЙ СОЛНЕЧНЫХ ЭЛЕКТРОСТАНЦИЙ

The scheme of the solar power plant is single-line



АДАПТИВНАЯ СИСТЕМА КОММУТАЦИИ ПАНЕЛЕЙ СОЛНЕЧНЫХ ЭЛЕКТРОСТАНЦИЙ

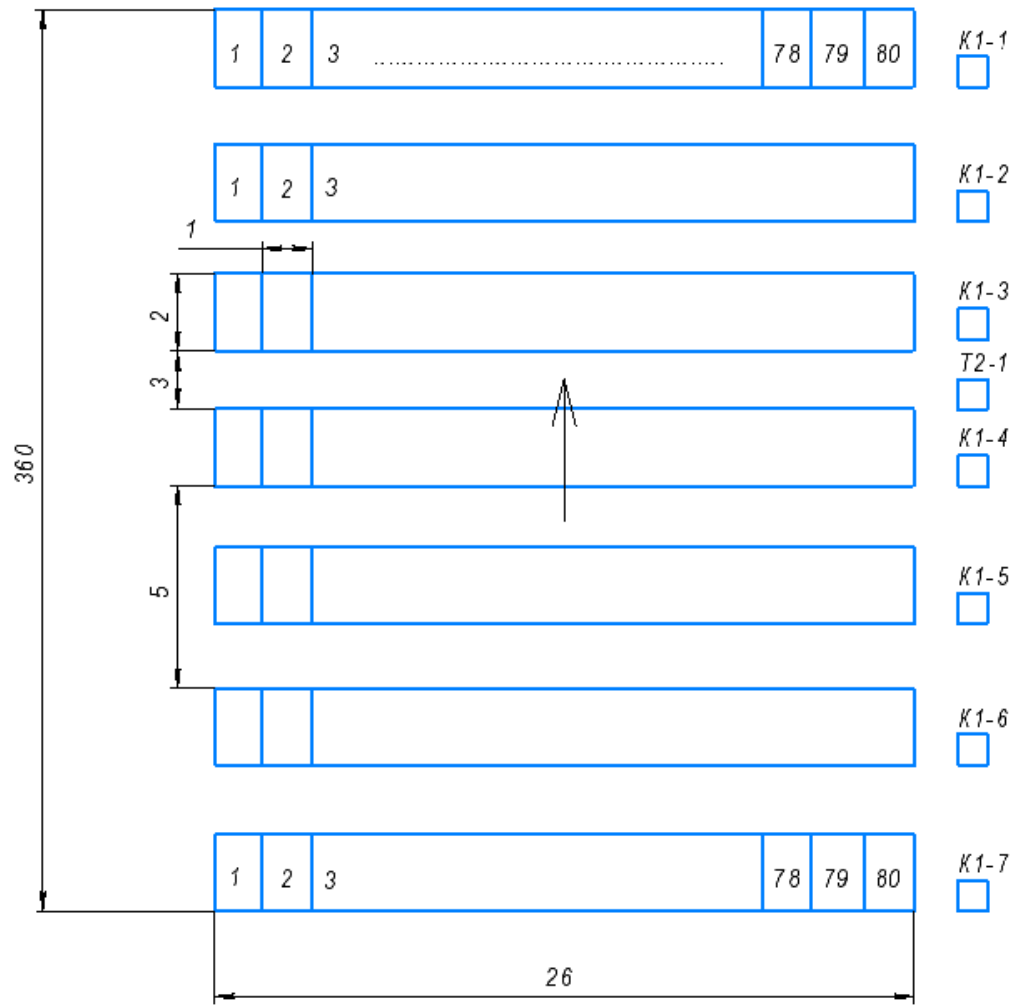
# General plan of the solar power plant



Авторы: Дивненко А.А, Голобоков С.В, Агеев В. А.; Бростилова Т. Ю., Александрин А. А

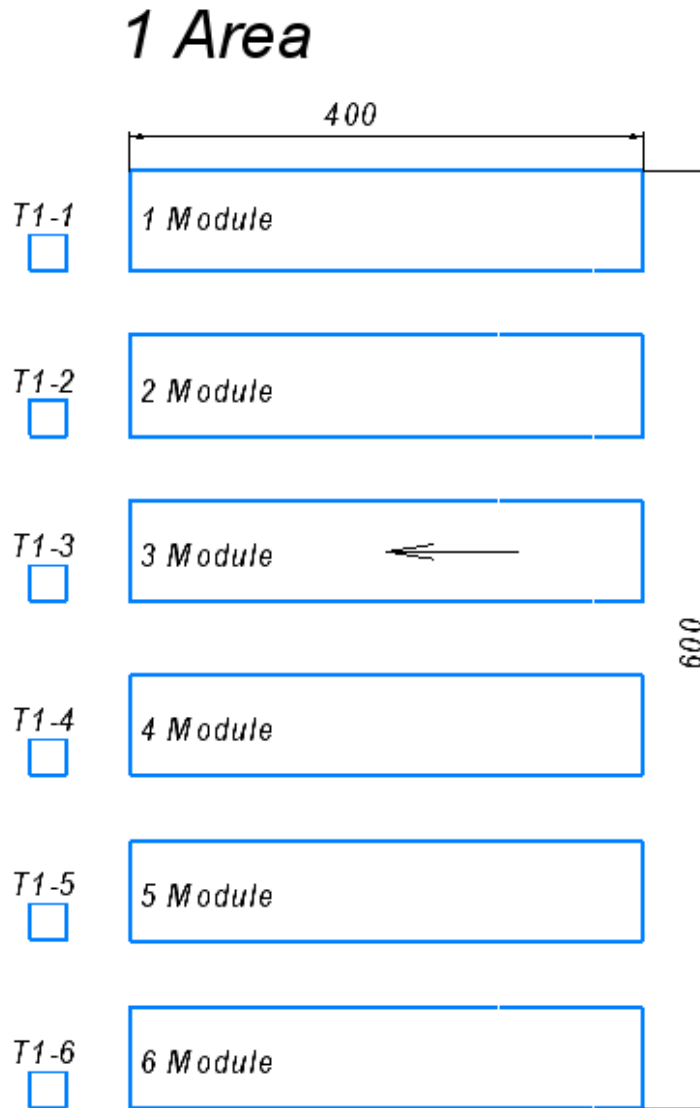
## АДАПТИВНАЯ СИСТЕМА КОММУТАЦИИ ПАНЕЛЕЙ СОЛНЕЧНЫХ ЭЛЕКТРОСТАНЦИЙ

### 1 Module



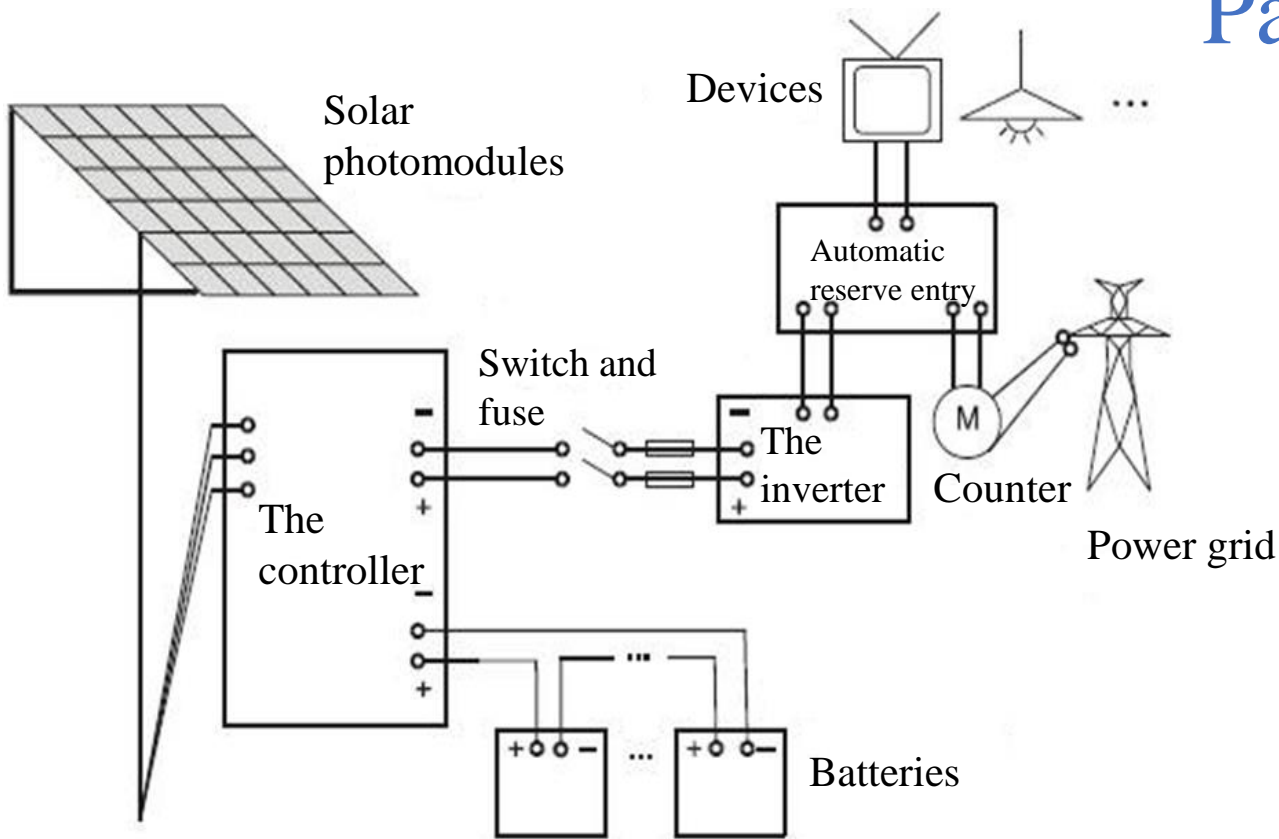
Авторы: Дивненко А.А, Голобоков С.В, Агеев В. А.; Бростилова Т. Ю., Александрин А. А

## АДАПТИВНАЯ СИСТЕМА КОММУТАЦИИ ПАНЕЛЕЙ СОЛНЕЧНЫХ ЭЛЕКТРОСТАНЦИЙ

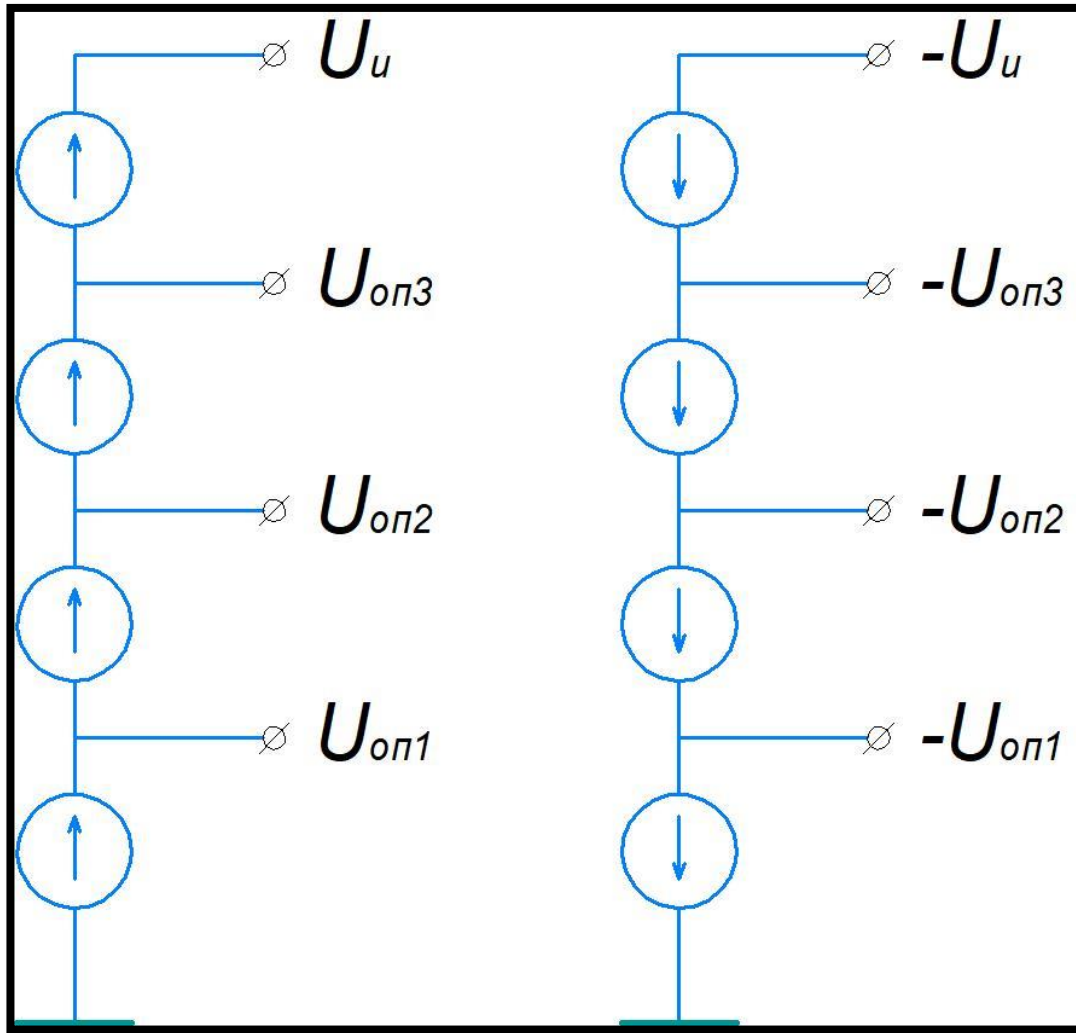


ADAPTIVE SWITCHING SYSTEM OF SOLAR POWER STATION

# Panel connection diagram



ADAPTIVE SWITCHING SYSTEM OF SOLAR POWER STATION

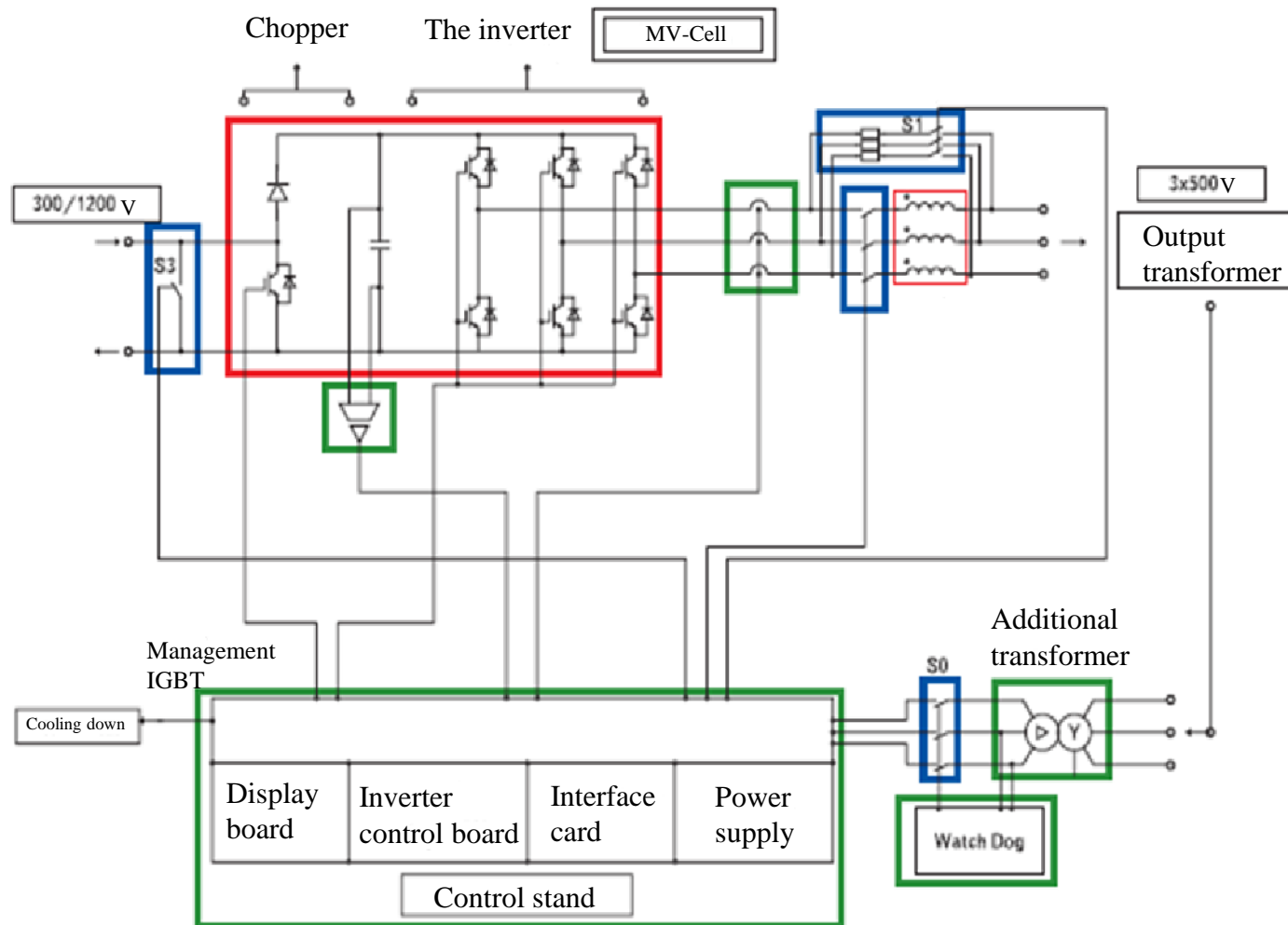


# Solar panel switching scheme



ADAPTIVE SWITCHING SYSTEM OF SOLAR POWER STATION

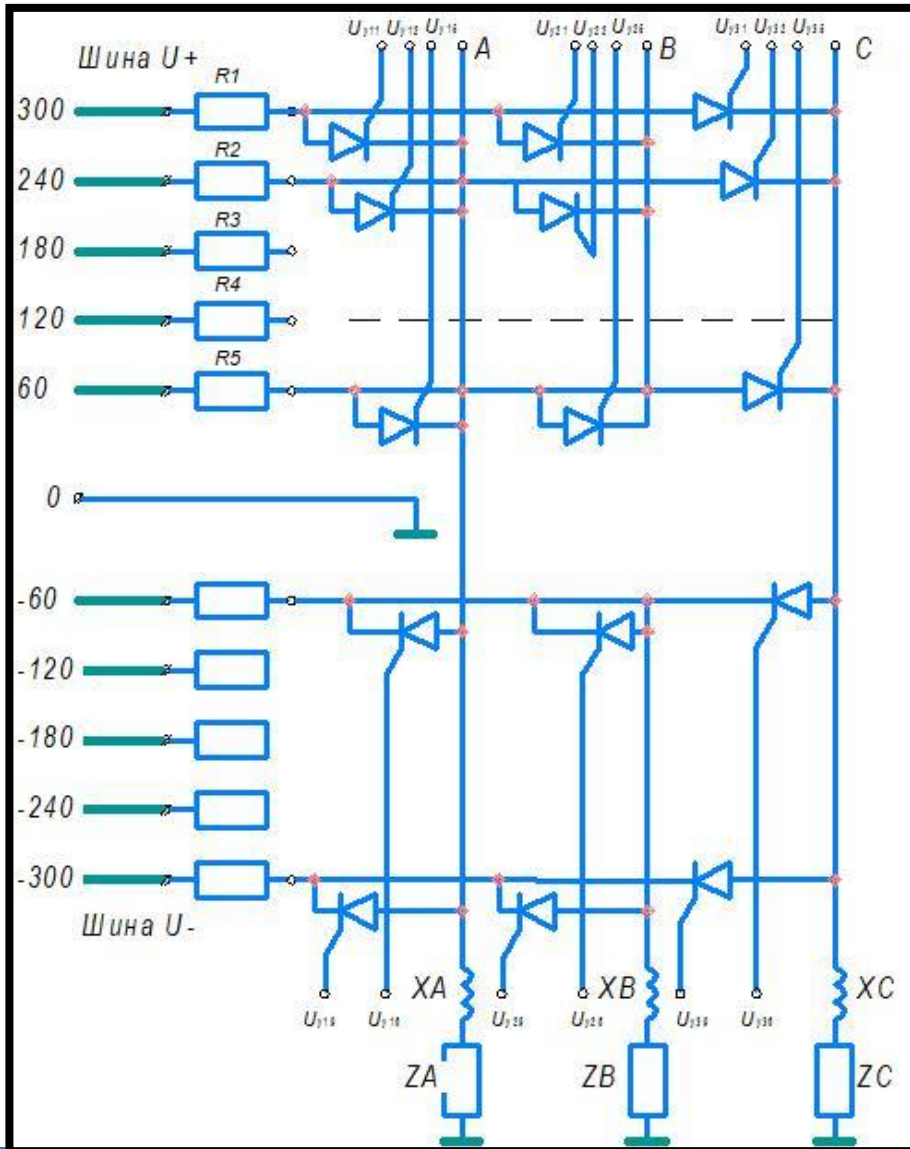
Industrial inverter circuit with PWM modulation



**Authors:** Aleksey Divnenko, Sergey Golobokov, Ageev Vadim, Tatyana Brostilova., Andrey Alexandrin.

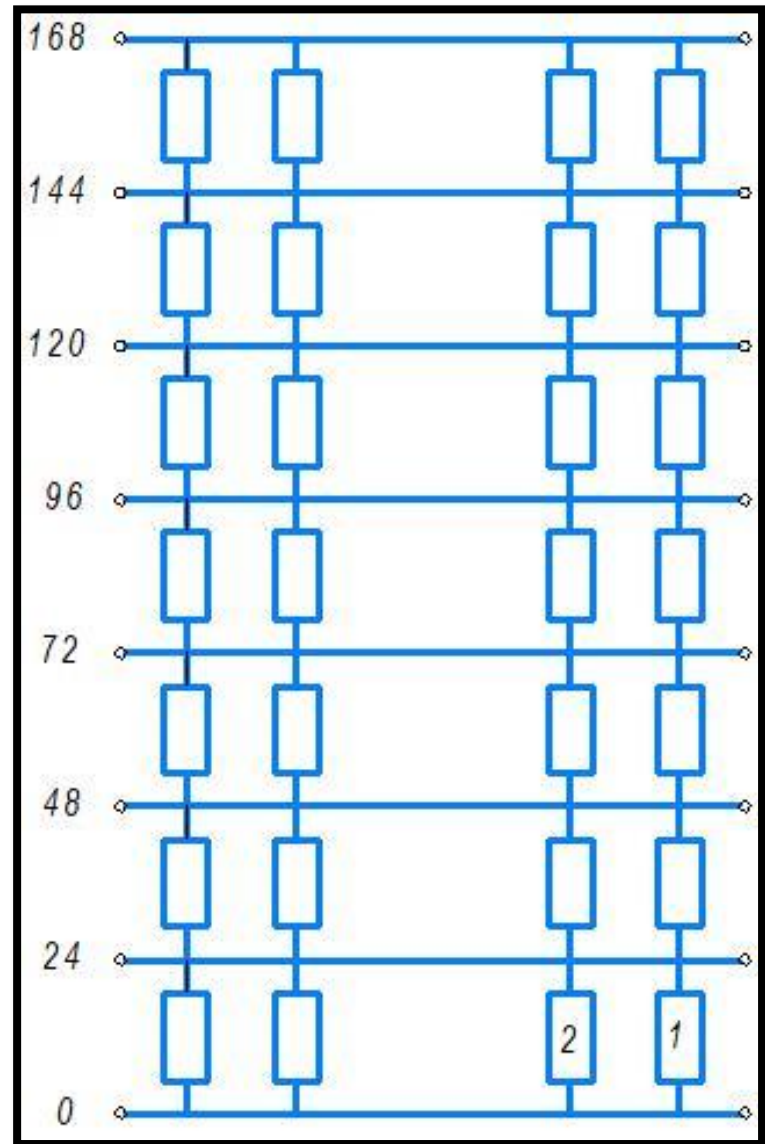
ADAPTIVE SWITCHING SYSTEM OF SOLAR POWER STATION

# Thyristor switch circuit



**Authors:** Aleksey Divnenko, Sergey Golobokov, Ageev Vadim, Tatyana Brostilova., Andrey Alexandrin.

ADAPTIVE SWITCHING SYSTEM OF SOLAR POWER STATION



# Solar panel connection

**Authors:** Aleksey Divnenko, Sergey Golobokov, Ageev Vadim, Tatyana Brostilova., Andrey Alexandrin.

# Conclusions

- 1) Low cost switch without pulse transformer.
- 2) The device uses a lot of cheap thyristor keys.
- 3) Low level of non-sinusoidal distortion due to 5 voltage stages, low inductance of the reactor at the output.
- 4) The ability to reset excess power to the electrolyzer.
- 5) The presented station is obtained with high survivability, due to the large number of parallel channels.

ADAPTIVE SWITCHING SYSTEM OF SOLAR POWER STATION

---

*Thank you for your attention!*

**Authors:** Aleksey Divnenko, Sergey Golobokov, Ageev Vadim, Tatyana Brostilova., Andrey Alexandrin.

**Contact details:** [divaldiv@yandex.ru](mailto:divaldiv@yandex.ru)

**Scientific adviser:** Sergey Golobokov.

**Affiliations:** Penza State University

---